

LEGEND			
AUDIO	WIRE	NAME	DETAIL
C	1x 14/4	CEILING SPEAKER	DETAIL XX ON SHEET XX
W	1x 14/4	WALL SPEAKER	DETAIL XX ON SHEET XX
DO	1x 14/4	DISCREET OPENING SPKR	DETAIL XX ON SHEET XX
INV	1x 14/4	INVISIBLE CLNG SPKR	DETAIL XX ON SHEET XX
SB	1x 14/4	STEREO SOUNDBAR	DETAIL XX ON SHEET XX
LCR	3x 14/2	LCR SOUNDBAR	DETAIL XX ON SHEET XX
LS	1x 14/4	DIRECT BURY LANDSCAPE SPEAKER	DETAIL XX ON SHEET XX
SUBA	1x 16/3 + POWER	ACTIVE SUBWOOFER	DETAIL XX ON SHEET XX
SUBP	1x 14/4	PASSIVE SUBWOOFER	DETAIL XX ON SHEET XX
CH	1x 14/4	DOOR CHIME	DETAIL XX ON SHEET XX
SEE PLAN		AUDIO DEVICE	DETAIL XX ON SHEET XX
SEE PLAN		MICRO PHONE	DETAIL XX ON SHEET XX
SEE PLAN		POINT OF DISTRIBUTION	DETAIL XX ON SHEET XX
VIDEO	WIRE	NAME	DETAIL
A	2xCAT6+1CAT7SH 1xRG6+CONDUIT +FIBER	TV PACKAGE A	DETAIL XX ON SHEET XX
B	2xCAT6+1CAT7SH +1xRG6	TV PACKAGE B	DETAIL XX ON SHEET XX
C	2xCAT6+1xRG6	TV PACKAGE C	DETAIL XX ON SHEET XX
SEE PLAN		4K UHD PROJECTOR	DETAIL XX ON SHEET XX
SEE PLAN		CCTV CAMERA	DETAIL XX ON SHEET XX
SEE PLAN		POINT OF DISTRIBUTION	DETAIL XX ON SHEET XX
LIGHTING	WIRE	NAME	DETAIL
KP4	1x CAT6	CONTROL4 KEYPAD	DETAIL XX ON SHEET XX
KPC	1x CAT6	CRESTRON KEYPAD	DETAIL XX ON SHEET XX
KPHV	1x CAT6	HV LIGHTING KEYPAD	DETAIL XX ON SHEET XX
KPLU	1x CAT6	LUTRON KEYPAD	DETAIL XX ON SHEET XX
KPVA	1x CAT6	VANTAGE KEYPAD	DETAIL XX ON SHEET XX
SEE PLAN		POINT OF DISTRIBUTION	DETAIL XX ON SHEET XX
SEE PLAN		POINT OF DISTRIBUTION	DETAIL XX ON SHEET XX
CONTROL	WIRE	NAME	DETAIL
WM	1x CAT6	WALL MOUNT TOUCHPANEL	DETAIL XX ON SHEET XX
T	1x CAT6	TABLETOP TOUCHPANEL	DETAIL XX ON SHEET XX
WF	SEE PLAN	WIRELESS TOUCHPANEL	DETAIL XX ON SHEET XX
CO	SEE PLAN	CONTROL OUTPUT	DETAIL XX ON SHEET XX
PD	SEE PLAN	POINT OF DISTRIBUTION	DETAIL XX ON SHEET XX
SHADES	WIRE	NAME	DETAIL
RS	SEE PLAN	ROMAN SHADE	DETAIL XX ON SHEET XX
MS	SEE PLAN	MANUAL SHADE	DETAIL XX ON SHEET XX
MC	SEE PLAN	MOTOR CURTAIN	DETAIL XX ON SHEET XX
PD	SEE PLAN	POINT OF DISTRIBUTION	DETAIL XX ON SHEET XX
DATA	WIRE	NAME	DETAIL
SEE PLAN		WALL OR FLOOR PHONE	DETAIL XX ON SHEET XX
SEE PLAN		DATA PORT	DETAIL XX ON SHEET XX
RF	2x CAT6	RF TRANSMITTER	DETAIL XX ON SHEET XX
AP	2x CAT6	WIRELESS ACCESS POINT	DETAIL XX ON SHEET XX
EX	2x CAT6 DIRECT BURY	EXTERIOR ACCESS POINT	DETAIL XX ON SHEET XX
DM	SEE PLAN	POINT OF DEMARCATION	DETAIL XX ON SHEET XX
DP	SEE PLAN	DOOR PHONE	DETAIL XX ON SHEET XX
SEE PLAN		SATELLITE DISH	DETAIL XX ON SHEET XX
PD	SEE PLAN	POINT OF DISTRIBUTION	DETAIL XX ON SHEET XX
HVAC	WIRE	NAME	DETAIL
CN	1x CRESTNET	CRESTRON THERMOSTAT	DETAIL XX ON SHEET XX
WF	SEE PLAN	WiFi THERMOSTAT	DETAIL XX ON SHEET XX
HS	1x CRESTNET	HUMIDITY SENSOR	DETAIL XX ON SHEET XX
TH	1x CRESTNET	TEMP / HUMIDITY	DETAIL XX ON SHEET XX
PD	SEE PLAN	POINT OF DISTRIBUTION	DETAIL XX ON SHEET XX
POWER	WIRE	NAME	DETAIL
SEE PLAN		SINGLE RECEPTACLE	DETAIL XX ON SHEET XX
SEE PLAN		DUPLEX RECEPTACLE	DETAIL XX ON SHEET XX
SEE PLAN		SPECIALTY POWER	DETAIL XX ON SHEET XX
FLUSH	WIRE	NAME	DETAIL
TF	SEE PLAN	TRUFIG MOUNT	DETAIL XX ON SHEET XX
SL	SEE PLAN	SEELESS MOUNT	DETAIL XX ON SHEET XX

**LIAISON**  
SOPHISTICATED DESIGN. TECHNOLOGY SIMPLIFIED.  
 (888) 279-1235  
 WWW.LIAISONHOMES.COM

**ARCHITECT INFO**  
 JOE RIVERSIDE  
 RIVERSIDE DESIGN  
 3004 SOUTH BEND  
 SCOTTSDALE, ARIZONA  
 (679) 523-2150  
 WWW.ARCHWEBSITE.COM

**BUILDER INFO**  
 KENT THORNTON  
 PLATINUM BUILDERS  
 45 JONES LOOP  
 JACKSON, WYOMING  
 (840) 450-9210  
 WWW.BLDERSWEBSITE.COM

PROJECT NAME

PROJECT ADDRESS  
 CITY, STATE ZIP CODE

REVISION HISTORY	
DATE	ID
2.14.22	PRELIM LAYOUT

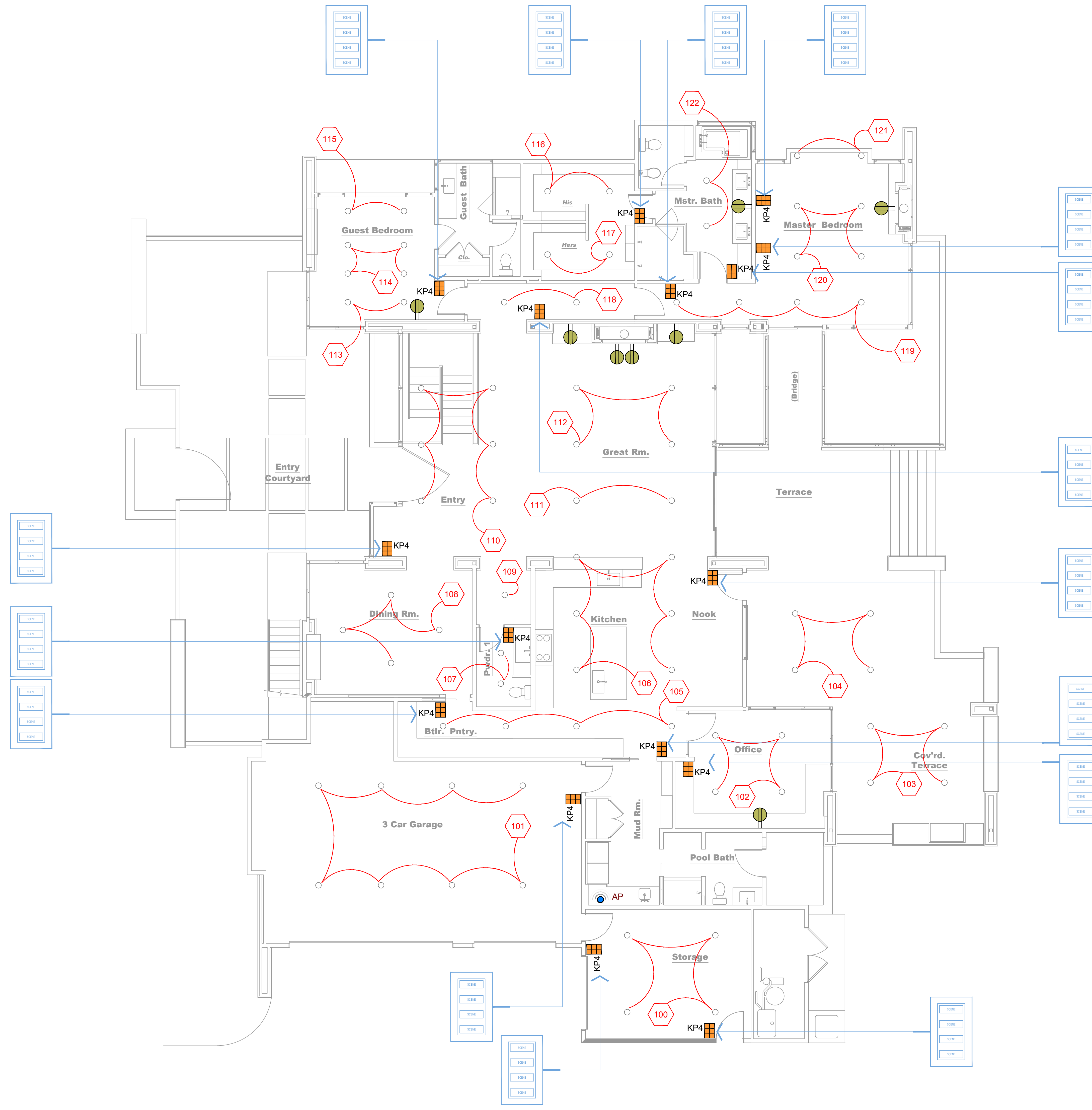
SHEET INFO

DLE 1.1

MAIN LEVEL DEVICES

DATE: 02.14.2022





LEGEND			
AUDIO	WIRE	NAME	DETAIL
C	1x 14/4	CEILING SPEAKER	DETAIL XX ON SHEET XX
W	1x 14/4	WALL SPEAKER	DETAIL XX ON SHEET XX
F	1x 14/4	FLOORSTAND SPEAKER	DETAIL XX ON SHEET XX
INV	1x 14/4	INVISIBLE CLNG SPKR	DETAIL XX ON SHEET XX
SB	1x 14/4	STEREO SOUNDBAR	DETAIL XX ON SHEET XX
LCR	3x 14/2	LCR SOUNDBAR	DETAIL XX ON SHEET XX
LS	1x 14/4 DIRECT BURY	LANDSCAPE SPEAKER	DETAIL XX ON SHEET XX
SUBA	1x 16/3 + POWER	ACTIVE SUBWOOFER	DETAIL XX ON SHEET XX
SUBP	1x 14/4	PASSIVE SUBWOOFER	DETAIL XX ON SHEET XX
CH	1x 14/4	DOOR CHIME	DETAIL XX ON SHEET XX
SEE PLAN		AUDIO DEVICE	DETAIL XX ON SHEET XX
SEE PLAN		MICRO PHONE	DETAIL XX ON SHEET XX
SEE PLAN		POINT OF DISTRIBUTION	DETAIL XX ON SHEET XX
VIDEO	WIRE	NAME	DETAIL
A	2xCAT6+1CAT7SH 1xRG6+CONDUIT +FIBER	TV PACKAGE A	DETAIL XX ON SHEET XX
B	2xCAT6+1CAT7SH +1xRG6	TV PACKAGE B	DETAIL XX ON SHEET XX
C	2xCAT6+1xRG6	TV PACKAGE C	DETAIL XX ON SHEET XX
	2xCAT6+1CAT7SH 1xRG6+CONDUIT	4K UHD PROJECTOR	DETAIL XX ON SHEET XX
	2x CAT6	CCTV CAMERA	DETAIL XX ON SHEET XX
SEE PLAN		POINT OF DISTRIBUTION	DETAIL XX ON SHEET XX
LIGHTING	WIRE	NAME	DETAIL
KP4	1x CAT6	CONTROL4 KEYPAD	DETAIL XX ON SHEET XX
KPC	1x CAT6	CRESTRON KEYPAD	DETAIL XX ON SHEET XX
KPHV	1x CAT6	HV LIGHTING KEYPAD	DETAIL XX ON SHEET XX
KPLU	1x CAT6	LUTRON KEYPAD	DETAIL XX ON SHEET XX
KPVA	1x CAT6	VANTAGE KEYPAD	DETAIL XX ON SHEET XX
SEE PLAN		POINT OF DISTRIBUTION	DETAIL XX ON SHEET XX
SEE PLAN		POINT OF DISTRIBUTION	DETAIL XX ON SHEET XX
CONTROL	WIRE	NAME	DETAIL
WM	1x CAT6	WALL MOUNT TOUCHPANEL	DETAIL XX ON SHEET XX
T	1x CAT6	TABLETOP TOUCHPANEL	DETAIL XX ON SHEET XX
WF	SEE PLAN	WIRELESS TOUCHPANEL	DETAIL XX ON SHEET XX
CO	SEE PLAN	CONTROL OUTPUT	DETAIL XX ON SHEET XX
PD	SEE PLAN	POINT OF DISTRIBUTION	DETAIL XX ON SHEET XX
SHADES	WIRE	NAME	DETAIL
RS	SEE PLAN	ROMAN SHADE	DETAIL XX ON SHEET XX
MS	SEE PLAN	MANUAL SHADE	DETAIL XX ON SHEET XX
MC	SEE PLAN	MOTOR CURTAIN	DETAIL XX ON SHEET XX
PD	SEE PLAN	POINT OF DISTRIBUTION	DETAIL XX ON SHEET XX
DATA	WIRE	NAME	DETAIL
	2x CAT6	WALL OR FLOOR PHONE	DETAIL XX ON SHEET XX
	2x CAT6	DATA PORT	DETAIL XX ON SHEET XX
RF	2x CAT6	RF TRANSMITTER	DETAIL XX ON SHEET XX
AP	2x CAT6	WIRELESS ACCESS POINT	DETAIL XX ON SHEET XX
EX	2x CAT6 DIRECT BURY	EXTERIOR ACCESS POINT	DETAIL XX ON SHEET XX
DM	SEE PLAN	POINT OF DEMARCATION	DETAIL XX ON SHEET XX
DP	SEE PLAN	DOOR PHONE	DETAIL XX ON SHEET XX
	1xCAT6+2xRG6 + 1x 184	SATELLITE DISH	DETAIL XX ON SHEET XX
PD	SEE PLAN	POINT OF DISTRIBUTION	DETAIL XX ON SHEET XX
HVAC	WIRE	NAME	DETAIL
CN	1x CRESTNET	CRESTRON THERMOSTAT	DETAIL XX ON SHEET XX
WF	SEE PLAN	WIFI THERMOSTAT	DETAIL XX ON SHEET XX
HS	1x CRESTNET	HUMIDITY SENSOR	DETAIL XX ON SHEET XX
TH	1x CRESTNET	TEMP / HUMIDITY	DETAIL XX ON SHEET XX
PD	SEE PLAN	POINT OF DISTRIBUTION	DETAIL XX ON SHEET XX
POWER	WIRE	NAME	DETAIL
	SEE PLAN	SINGLE RECEPTACLE	DETAIL XX ON SHEET XX
	SEE PLAN	DUPLEX RECEPTACLE	DETAIL XX ON SHEET XX
	SEE PLAN	SPECIALTY POWER	DETAIL XX ON SHEET XX
FLUSH	WIRE	NAME	DETAIL
TF	SEE PLAN	TRUFIG MOUNT	DETAIL XX ON SHEET XX
SL	SEE PLAN	SEELESS MOUNT	DETAIL XX ON SHEET XX



**ARCHITECT INFO**  
 JOE RIVERSIDE  
 RIVERSIDE DESIGN  
 3004 SOUTH BEND  
 SCOTTSDALE, ARIZONA  
 (679) 523-2150  
 WWW.ARCHWEBSITE.COM

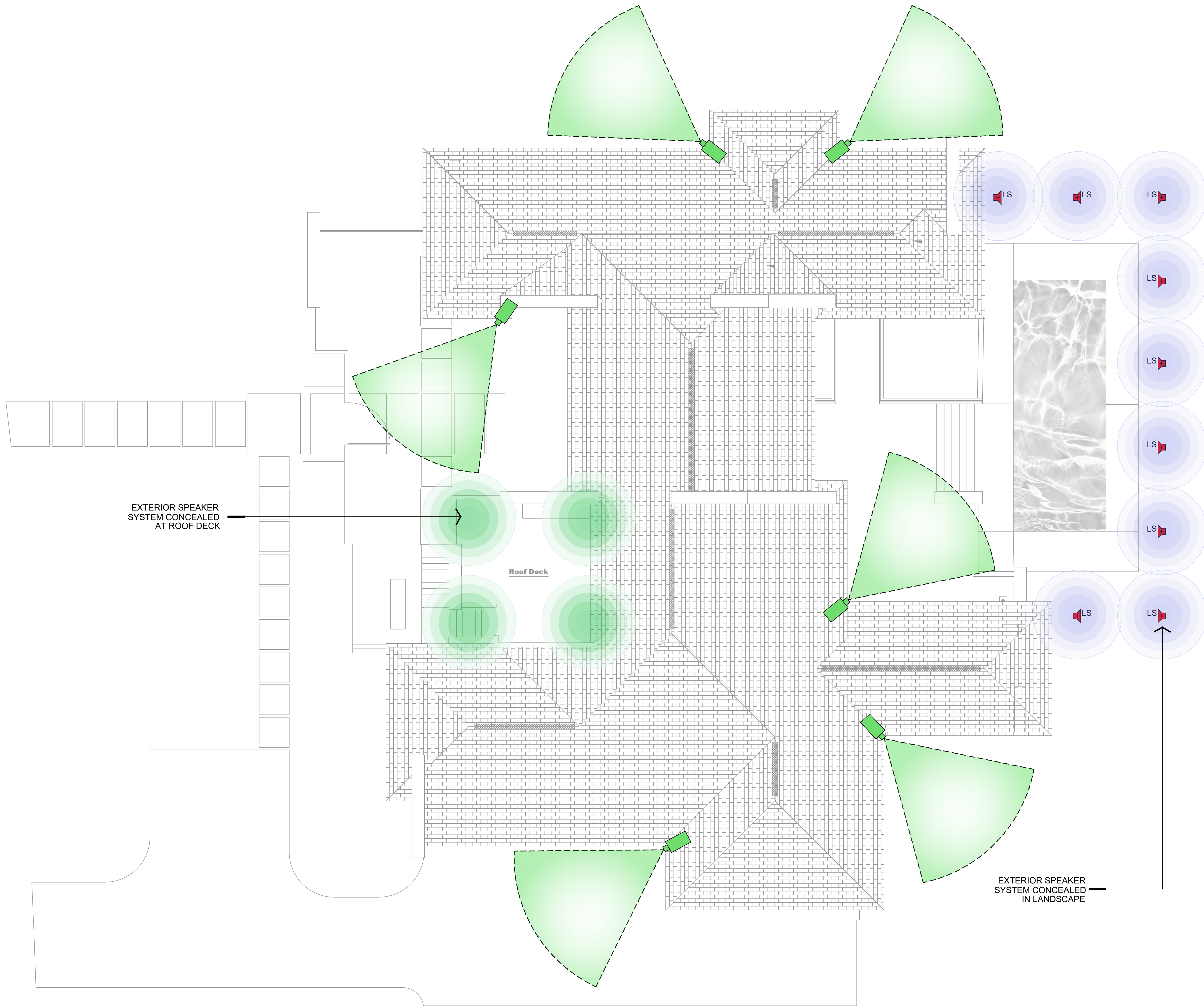
**BUILDER INFO**  
 KENT THORNTON  
 PLATINUM BUILDERS  
 45 JONES LOOP  
 JACKSON, WYOMING  
 (840) 450-9210  
 WWW.BLDRSWEBSITE.COM

**PROJECT NAME**  
 PROJECT ADDRESS  
 CITY, STATE ZIP CODE

REVISION HISTORY	
DATE	ID
2.14.22	PRELIM LAYOUT

**SHEET INFO**  
**LC 3.1**  
 MAIN LEVEL LIGHTING  
 DATE: 02.14.2022





EXTERIOR SPEAKER SYSTEM CONCEALED AT ROOF DECK

Roof Deck

EXTERIOR SPEAKER SYSTEM CONCEALED IN LANDSCAPE

LEGEND			
AUDIO	WIRE	NAME	DETAIL
C	1x 14/4	CEILING SPEAKER	DETAIL XX ON SHEET XX
W	1x 14/4	WALL SPEAKER	DETAIL XX ON SHEET XX
F	1x 14/4	FLOORSTAND SPEAKER	DETAIL XX ON SHEET XX
INV	1x 14/4	INVISIBLE CLNG SPKR	DETAIL XX ON SHEET XX
SB	1x 14/4	STEREO SOUNDBAR	DETAIL XX ON SHEET XX
LCR	3x 14/2	LCR SOUNDBAR	DETAIL XX ON SHEET XX
LS	1x 14/4	LANDSCAPE SPEAKER	DETAIL XX ON SHEET XX
SUBA	1x 16/3 + POWER	ACTIVE SUBWOOFER	DETAIL XX ON SHEET XX
SUBP	1x 14/4	PASSIVE SUBWOOFER	DETAIL XX ON SHEET XX
CH	1x 14/4	DOOR CHIME	DETAIL XX ON SHEET XX
SEE PLAN		AUDIO DEVICE	DETAIL XX ON SHEET XX
SEE PLAN		MICRO PHONE	DETAIL XX ON SHEET XX
SEE PLAN		POINT OF DISTRIBUTION	DETAIL XX ON SHEET XX
VIDEO	WIRE	NAME	DETAIL
A	2xCAT6+1CAT7SH 1xRG6+CONDUIT +FIBER	TV PACKAGE A	DETAIL XX ON SHEET XX
B	2xCAT6+1CAT7SH +1RG6	TV PACKAGE B	DETAIL XX ON SHEET XX
C	2xCAT6+1xRG6	TV PACKAGE C	DETAIL XX ON SHEET XX
	2xCAT6+1CAT7SH 1xRG6+CONDUIT	4K UHD PROJECTOR	DETAIL XX ON SHEET XX
	2x CAT6	CCTV CAMERA	DETAIL XX ON SHEET XX
SEE PLAN		POINT OF DISTRIBUTION	DETAIL XX ON SHEET XX
LIGHTING	WIRE	NAME	DETAIL
KP4	1x CAT6	CONTROL4 KEYPAD	DETAIL XX ON SHEET XX
KPC	1x CAT6	CRESTRON KEYPAD	DETAIL XX ON SHEET XX
KPHV	1x CAT6	HV LIGHTING KEYPAD	DETAIL XX ON SHEET XX
KPLU	1x CAT6	LUTRON KEYPAD	DETAIL XX ON SHEET XX
KPVA	1x CAT6	VANTAGE KEYPAD	DETAIL XX ON SHEET XX
SEE PLAN		POINT OF DISTRIBUTION	DETAIL XX ON SHEET XX
SEE PLAN		POINT OF DISTRIBUTION	DETAIL XX ON SHEET XX
CONTROL	WIRE	NAME	DETAIL
WM	1x CAT6	WALL MOUNT TOUCHPANEL	DETAIL XX ON SHEET XX
T	1x CAT6	TABLETOP TOUCHPANEL	DETAIL XX ON SHEET XX
WF	SEE PLAN	WIRELESS TOUCHPANEL	DETAIL XX ON SHEET XX
CO	SEE PLAN	CONTROL OUTPUT	DETAIL XX ON SHEET XX
PD	SEE PLAN	POINT OF DISTRIBUTION	DETAIL XX ON SHEET XX
SHADES	WIRE	NAME	DETAIL
RS	SEE PLAN	ROMAN SHADE	DETAIL XX ON SHEET XX
MS	SEE PLAN	MANUAL SHADE	DETAIL XX ON SHEET XX
MC	SEE PLAN	MOTOR CURTAIN	DETAIL XX ON SHEET XX
PD	SEE PLAN	POINT OF DISTRIBUTION	DETAIL XX ON SHEET XX
DATA	WIRE	NAME	DETAIL
	2x CAT6	WALL OR FLOOR PHONE	DETAIL XX ON SHEET XX
	2x CAT6	DATA PORT	DETAIL XX ON SHEET XX
RF	2x CAT6	RF TRANSMITTER	DETAIL XX ON SHEET XX
AP	2x CAT6	WIRELESS ACCESS POINT	DETAIL XX ON SHEET XX
EX	2x CAT6	EXTERIOR ACCESS POINT	DETAIL XX ON SHEET XX
DM	SEE PLAN	POINT OF DEMARCATION	DETAIL XX ON SHEET XX
DP	SEE PLAN	DOOR PHONE	DETAIL XX ON SHEET XX
	1xCAT6+2xRG6 + 1x 184	SATELLITE DISH	DETAIL XX ON SHEET XX
PD	SEE PLAN	POINT OF DISTRIBUTION	DETAIL XX ON SHEET XX
HVAC	WIRE	NAME	DETAIL
CN	1x CRESTNET	CRESTRON THERMOSTAT	DETAIL XX ON SHEET XX
WF	SEE PLAN	WIFI THERMOSTAT	DETAIL XX ON SHEET XX
HS	1x CRESTNET	HUMIDITY SENSOR	DETAIL XX ON SHEET XX
TH	1x CRESTNET	TEMP / HUMIDITY	DETAIL XX ON SHEET XX
PD	SEE PLAN	POINT OF DISTRIBUTION	DETAIL XX ON SHEET XX
POWER	WIRE	NAME	DETAIL
	SEE PLAN	SINGLE RECEPTACLE	DETAIL XX ON SHEET XX
	SEE PLAN	DUPLEX RECEPTACLE	DETAIL XX ON SHEET XX
	SEE PLAN	SPECIALTY POWER	DETAIL XX ON SHEET XX
FLUSH	WIRE	NAME	DETAIL
TF	SEE PLAN	TRUFIG MOUNT	DETAIL XX ON SHEET XX
SL	SEE PLAN	SEELESS MOUNT	DETAIL XX ON SHEET XX

  
**LIAISON**  
SOPHISTICATED DESIGN. TECHNOLOGY SIMPLIFIED.  
 (888) 279-1235  
 WWW.LIAISONHOMES.COM

**ARCHITECT INFO**  
 JOE RIVERSIDE  
 RIVERSIDE DESIGN  
 3004 SOUTH BEND  
 SCOTTSDALE, ARIZONA  
 (679) 523-2150  
 WWW.ARCHWEBSITE.COM

**BUILDER INFO**  
 KENT THORNTON  
 PLATINUM BUILDERS  
 45 JONES LOOP  
 JACKSON, WYOMING  
 (840) 450-9210  
 WWW.BLDRSWEBSITE.COM

PROJECT NAME

PROJECT ADDRESS  
CITY, STATE ZIP CODE

**REVISION HISTORY**

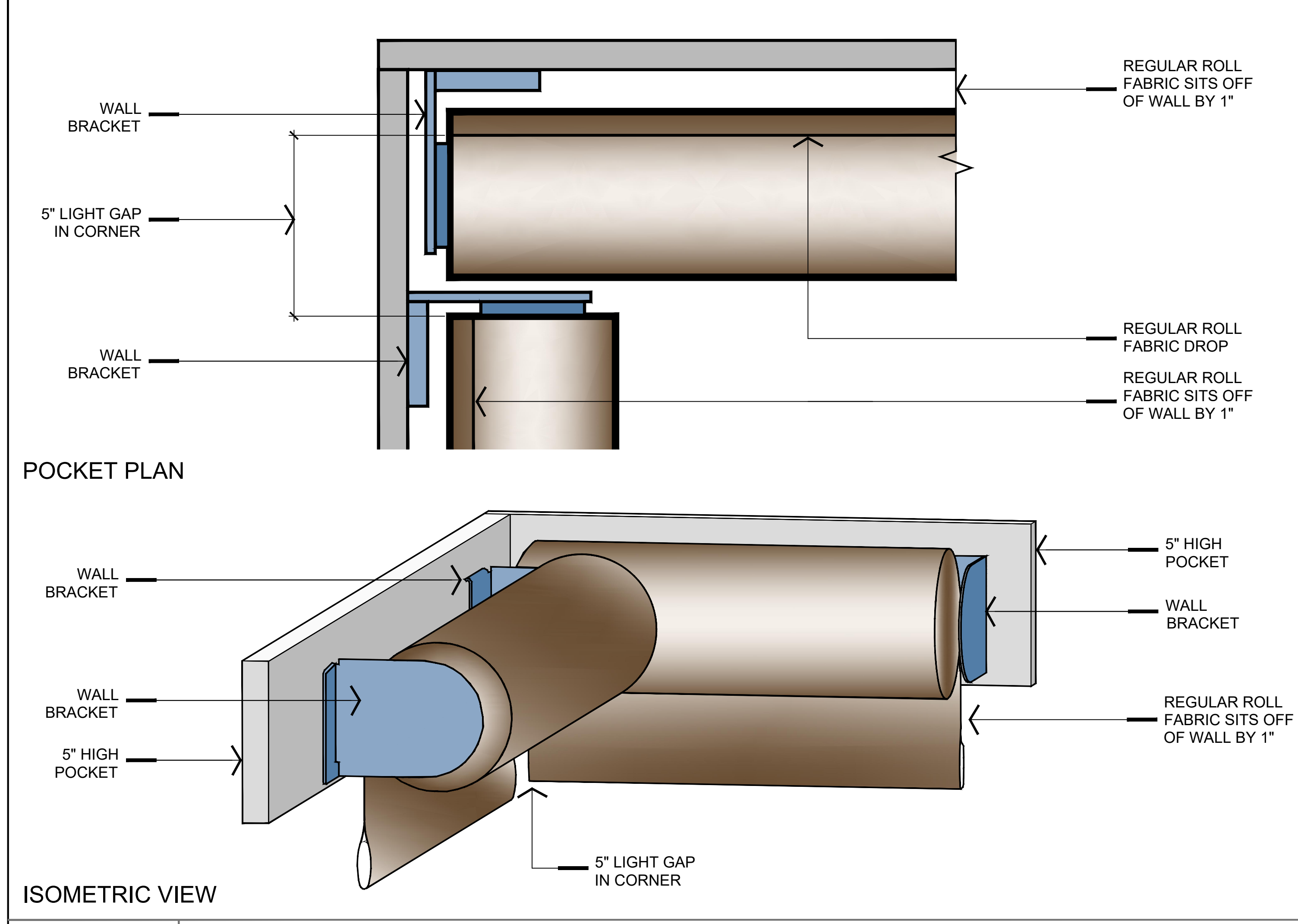
DATE	ID
2.14.22	PRELIM LAYOUT

**SHEET INFO**  
DLE 1.3  
 EXTERIOR DEVICES  
 DATE: 02.14.2022

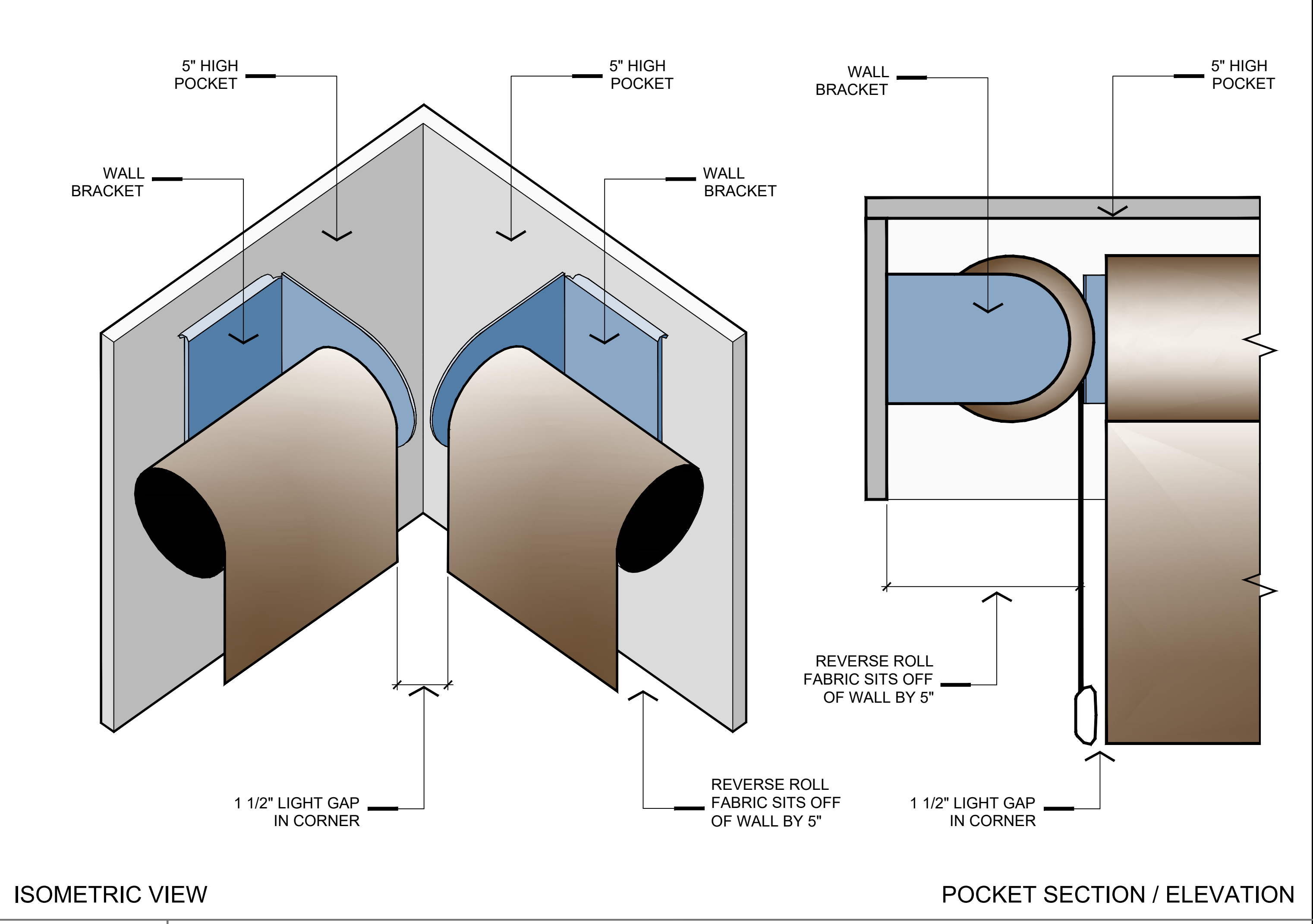


**REVISION HISTORY**

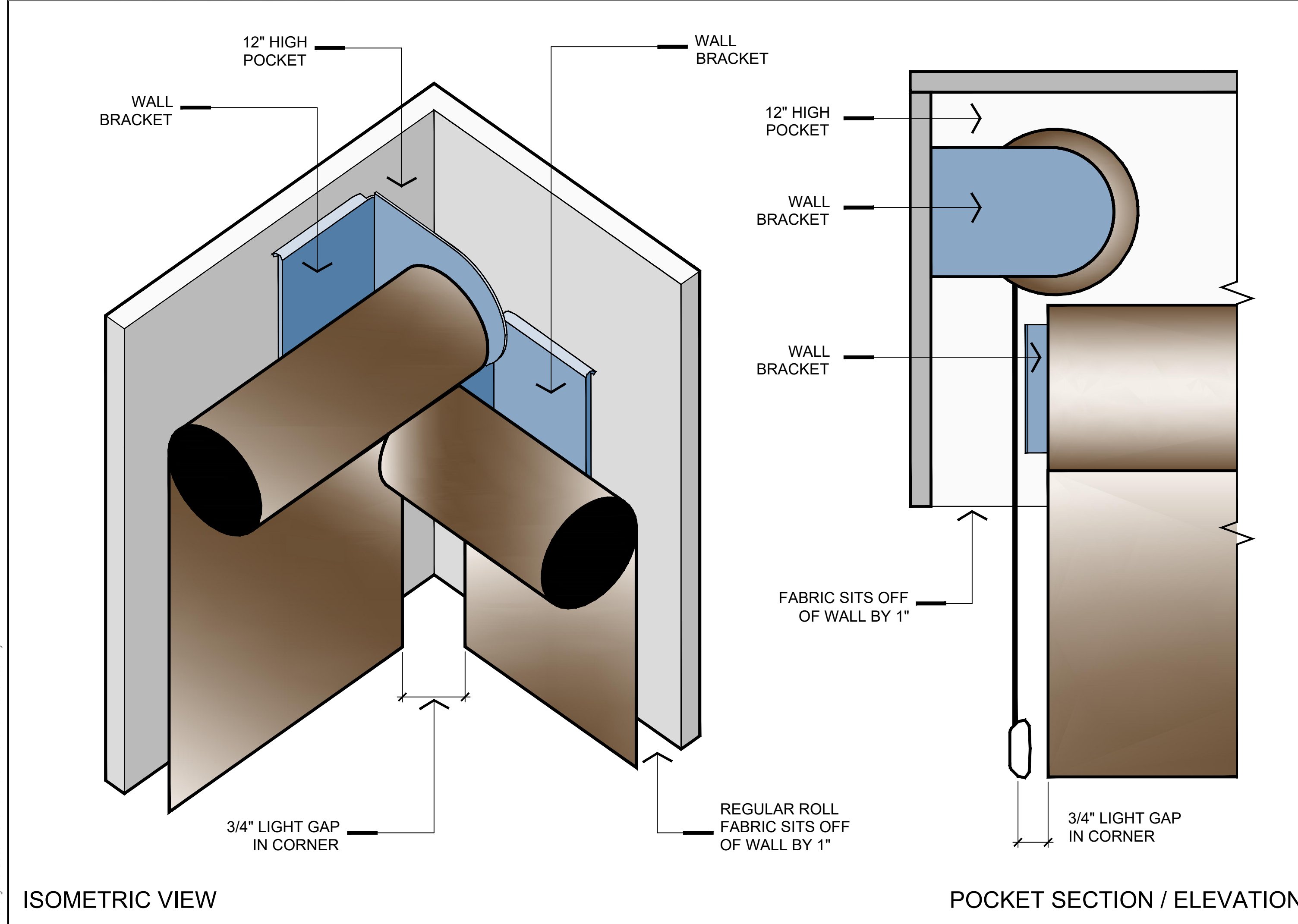
DATE	ID
2.14.22	PRELIM LAYOUT



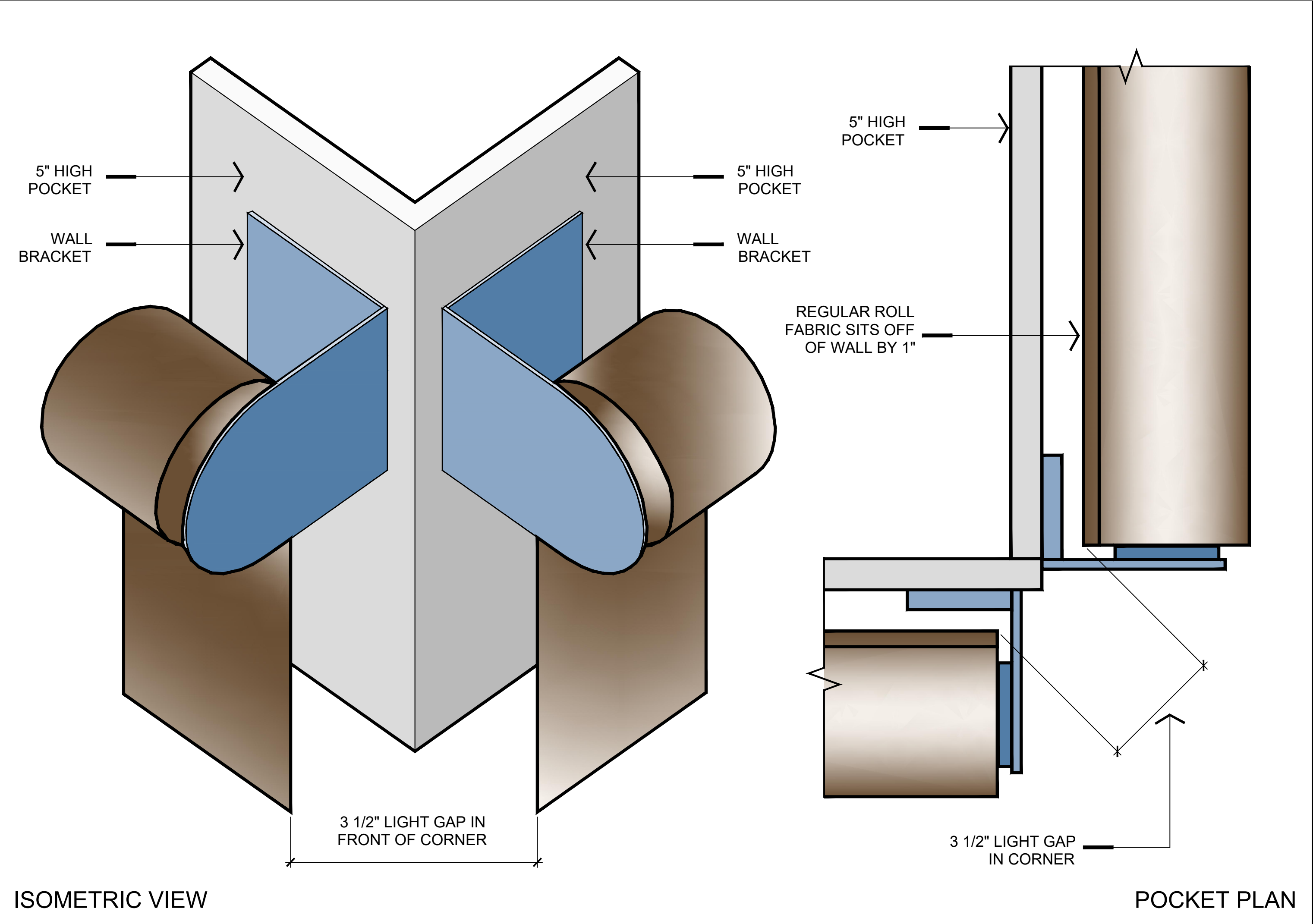
**DETAIL 01** REGULAR ROLL - BUTT AND PASS INSIDE CORNER WITH 5" LIGHT GAP



**DETAIL 02** REVERSE ROLL INSIDE CORNER WITH 1 1/2" LIGHT GAP



**DETAIL 03** REGULAR ROLL - STAGGERED INSIDE CORNER WITH 3/4" LIGHT GAP



**DETAIL 04** REGULAR ROLL - OUTSIDE CORNER WITH 3 1/2" LIGHT GAP

This Document belongs to Liaison Home Automation and is for internal use only.





LIAISON

ADVANCED DESIGN. TECHNOLOGY SUPPLIED.

(888) 279-1235

WWW.LIAISONHOMES.COM

ARCHITECT INFO

JOE RIVERSIDE  
RIVERSIDE DESIGN  
3004 SOUTH BEND  
SCOTTSDALE, ARIZONA  
(679) 523-2150

WWW.ARCHWEBSITE.COM

BUILDER INFO

KENT THORNTON  
PLATINUM BUILDERS  
45 JONES LOOP  
JACKSON, WYOMING  
(840) 450-9210

WWW.BLDRSWEBSITE.COM

PROJECT NAME  
PROJECT ADDRESS  
CITY, STATE ZIP CODE

REVISION HISTORY

DATE	ID
2.14.22	PRELIM LAYOUT

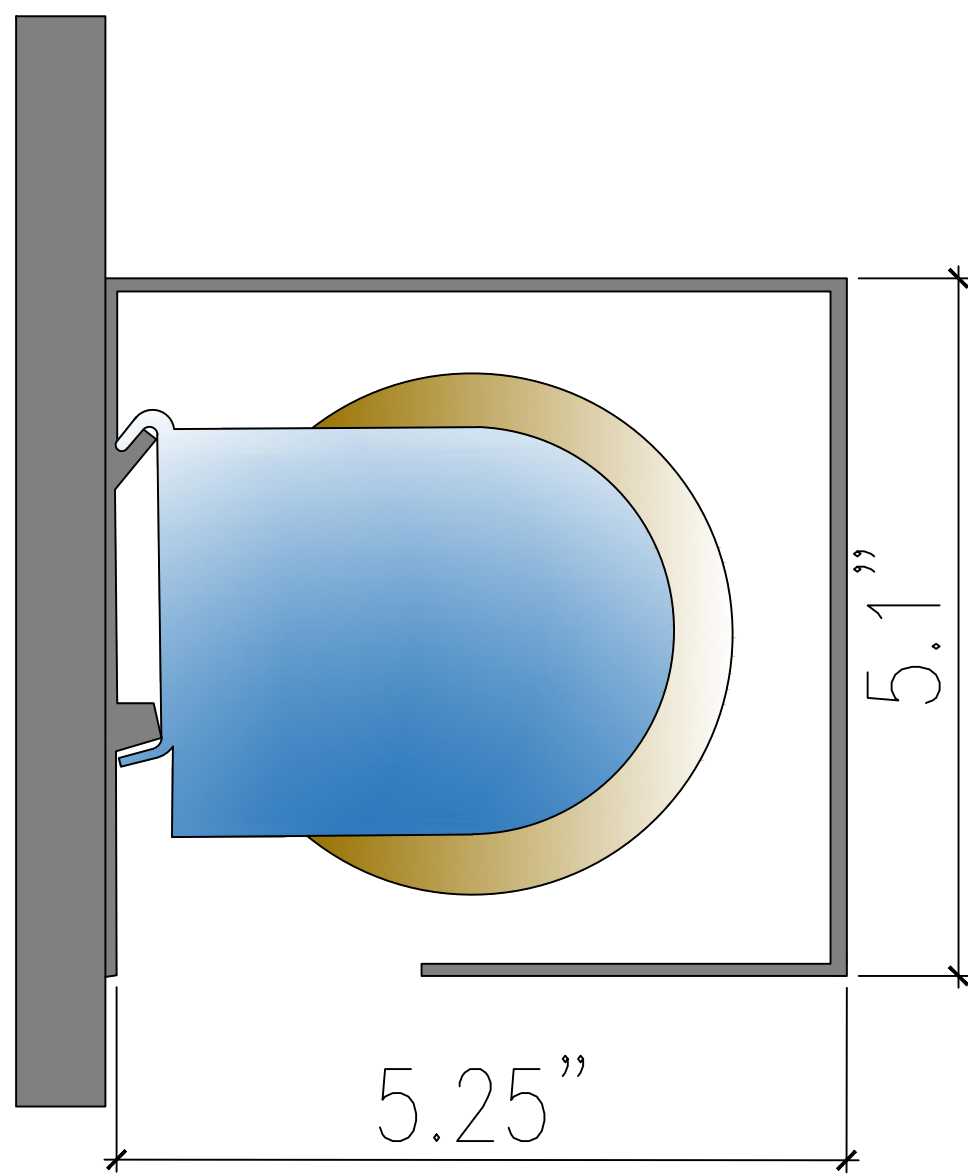
SHEET INFO

SH-2.0

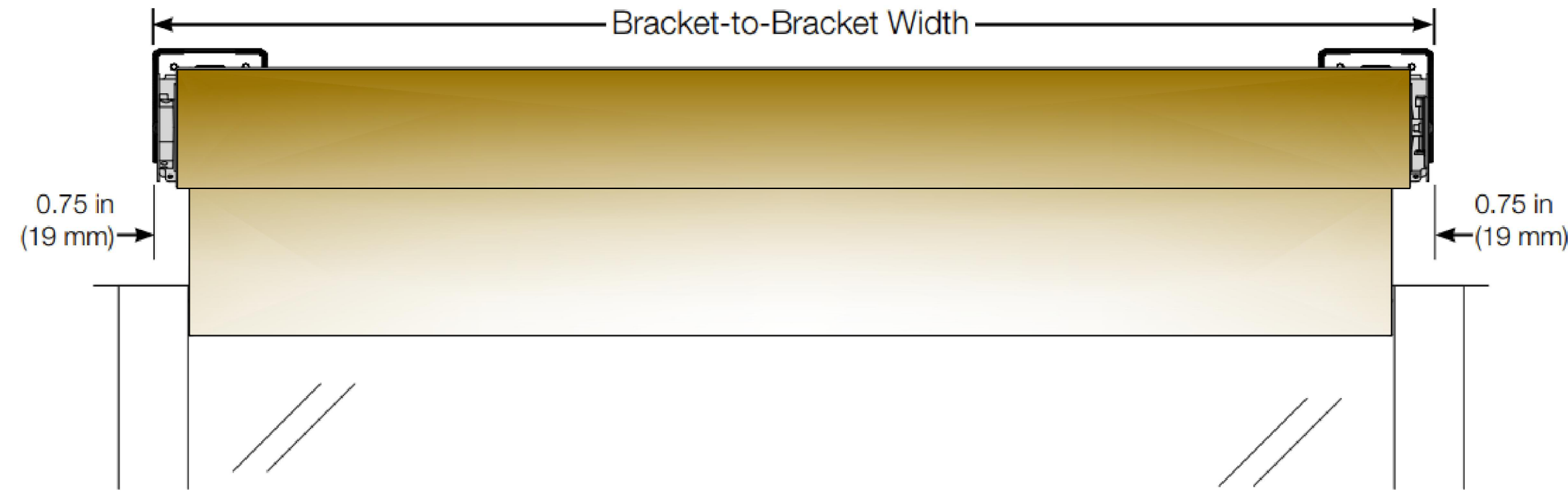
SHADE POCKET+  
MOUNTING OPTIONS

DATE: 02.14.2022

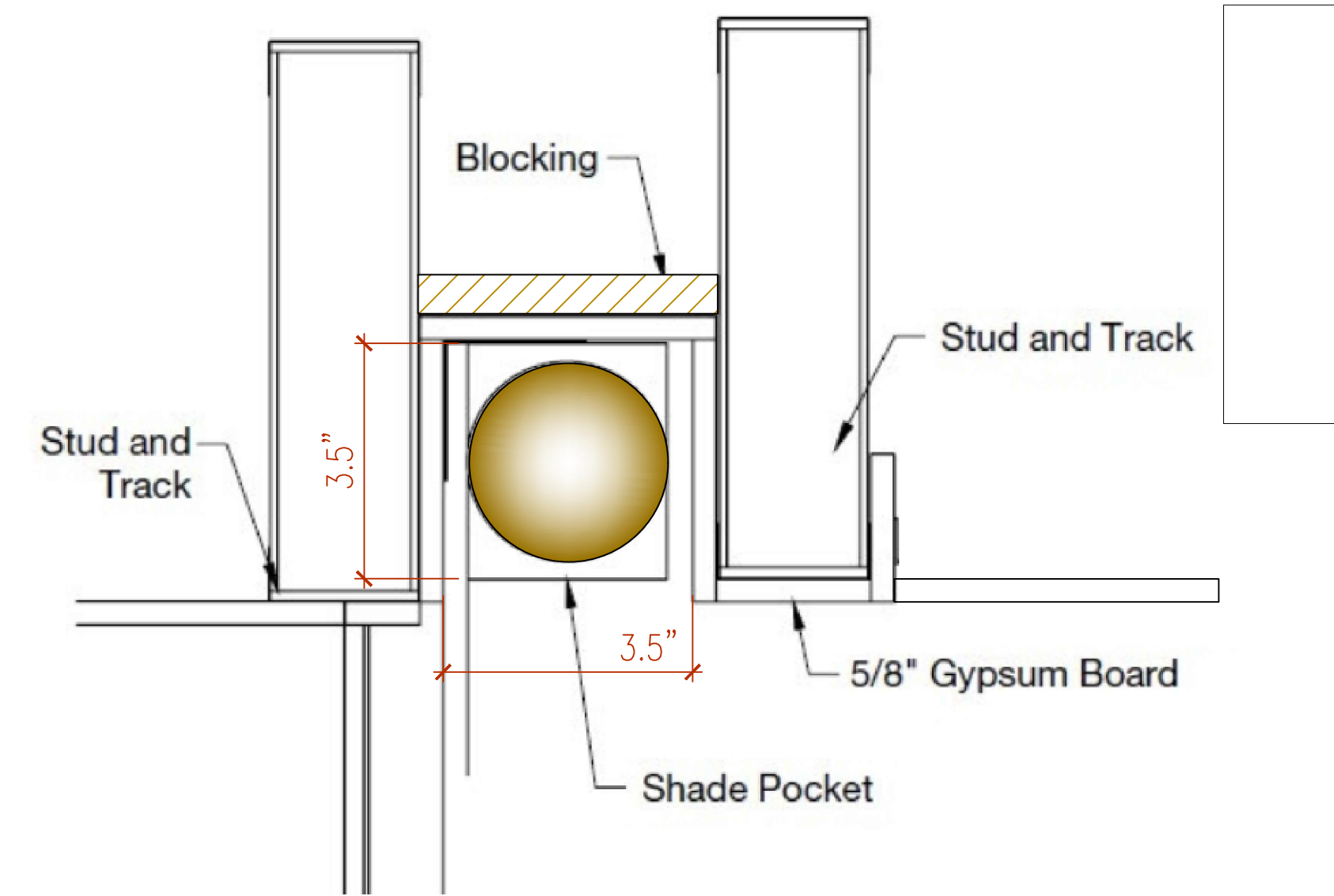
No framing to structure, simply hook to wall using clip



Side View POCKET SECTION / ELEVATION



Front View Elevation

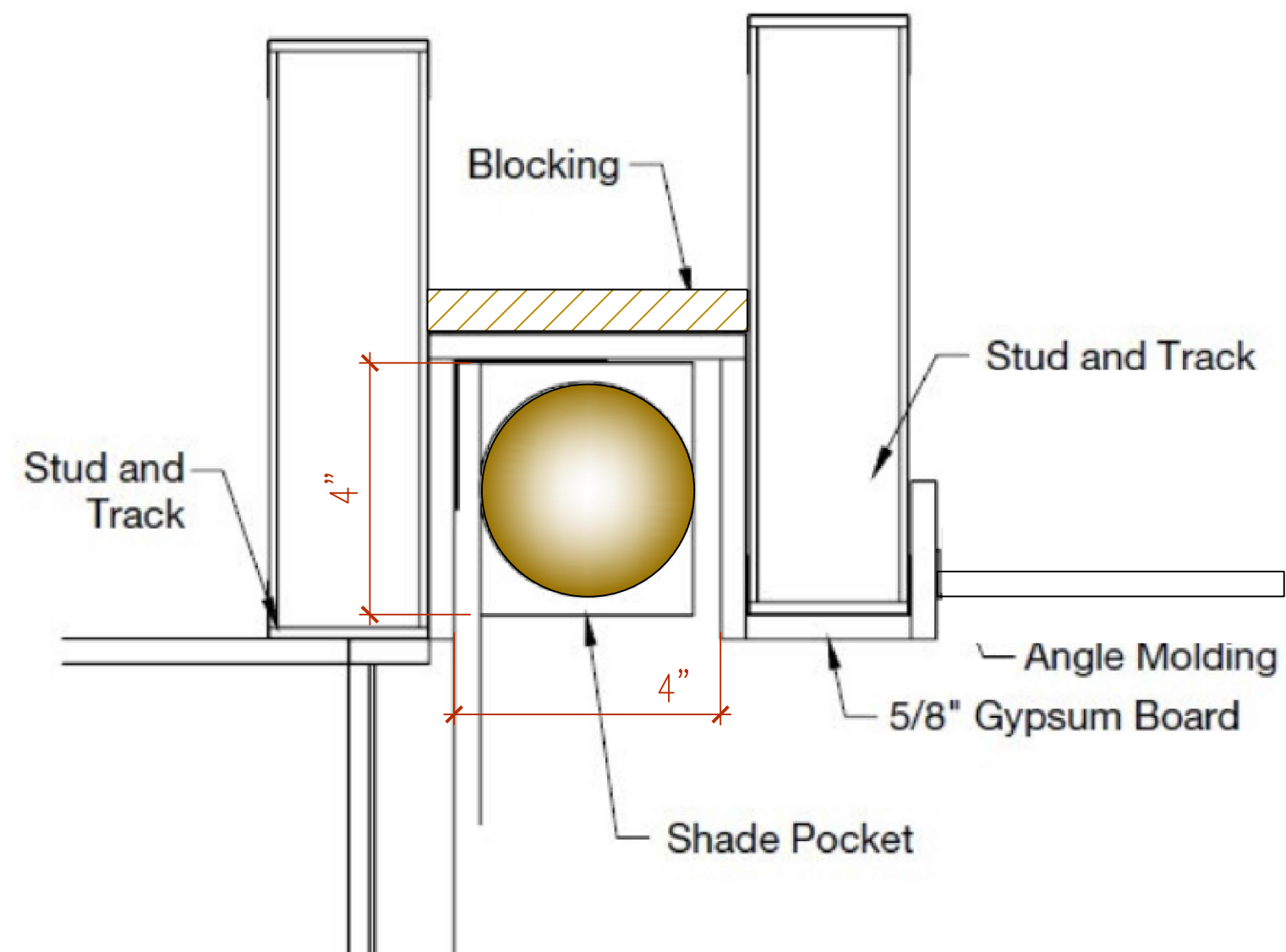


Side View POCKET SECTION / ELEVATION

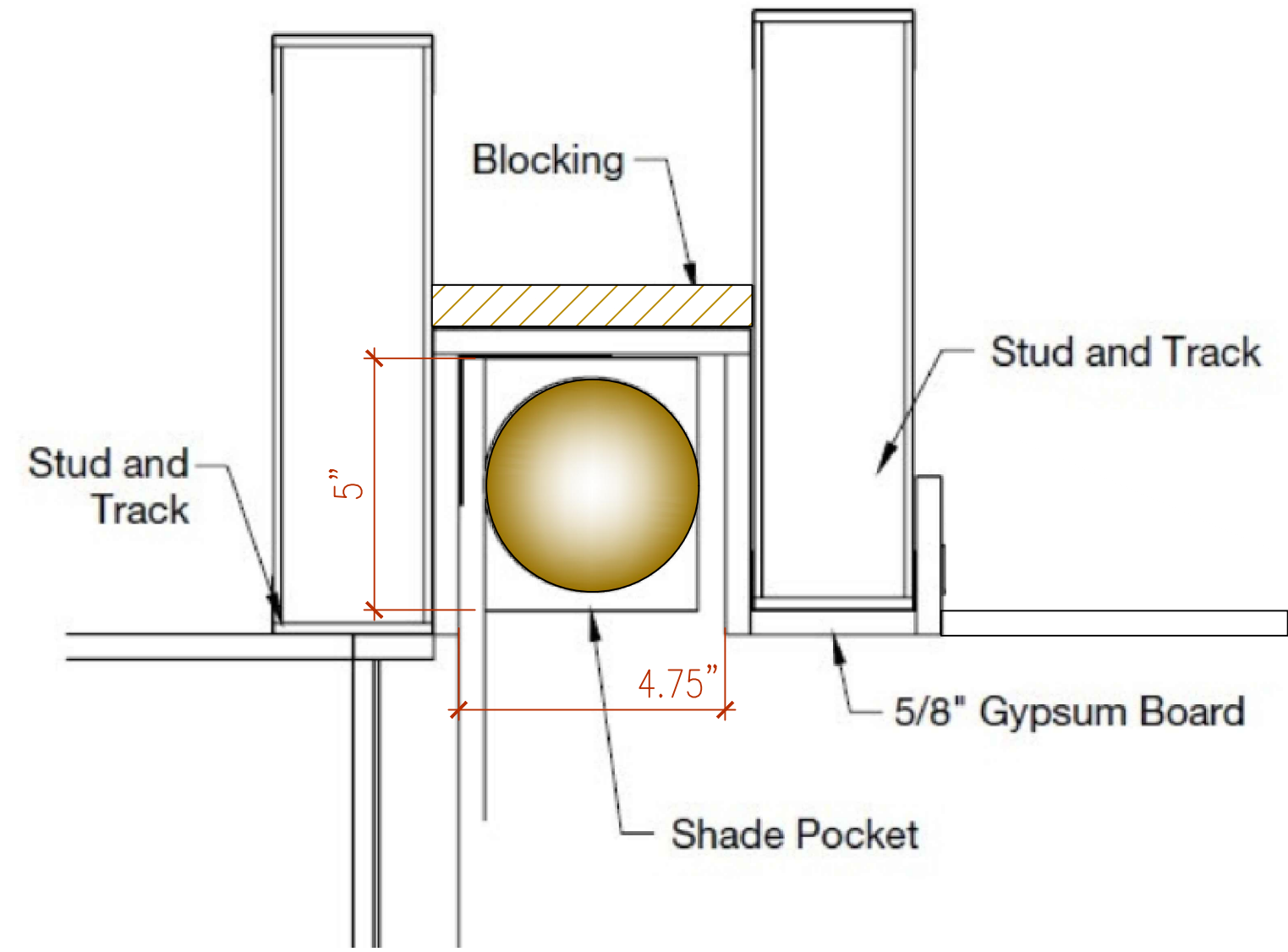
DETAIL 01 Pre-Engineered Pocket

DETAIL 02 Light Gap

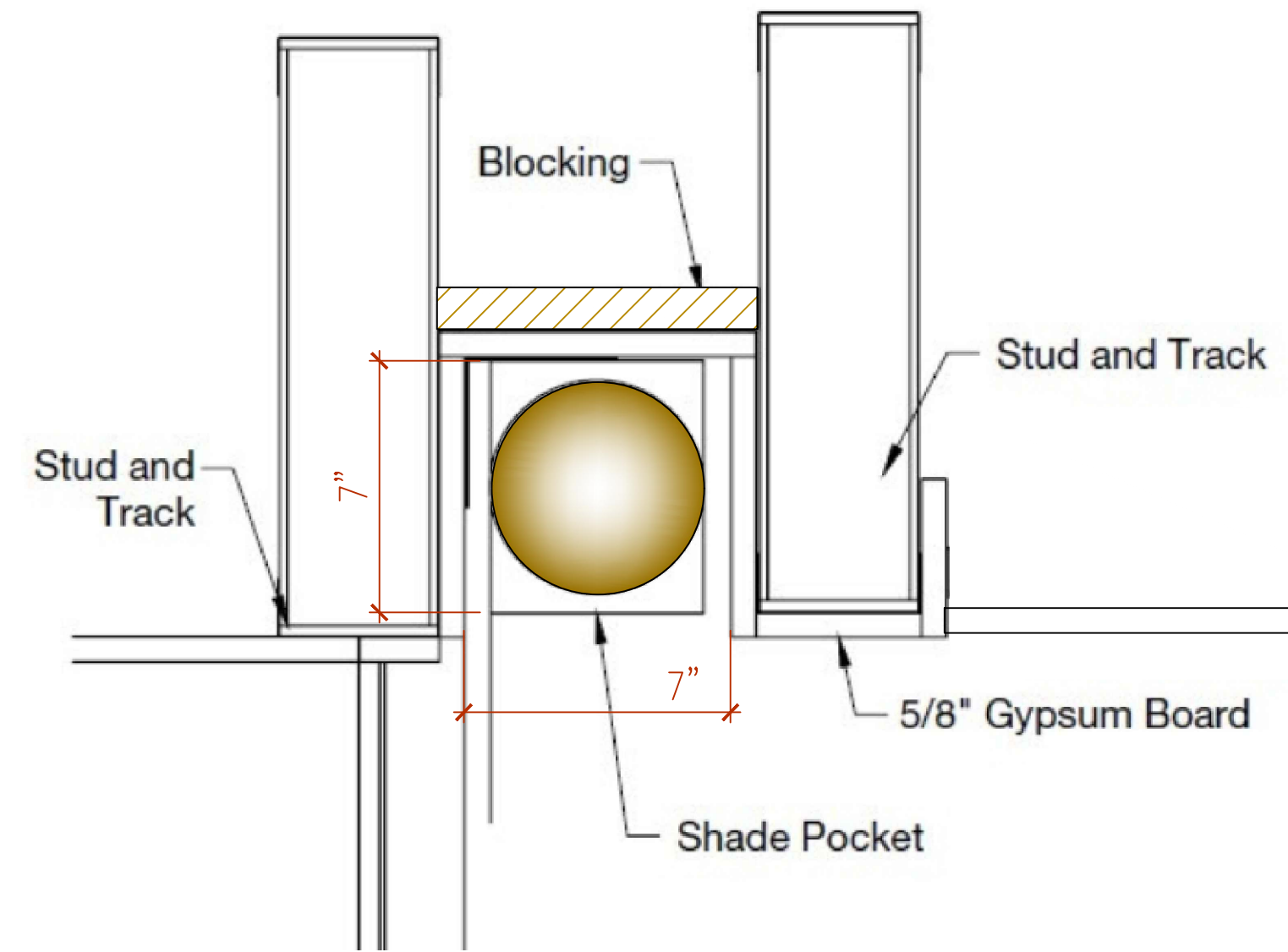
DETAIL 03 Roller 20 Pocket



Side View POCKET SECTION / ELEVATION



Side View POCKET SECTION / ELEVATION

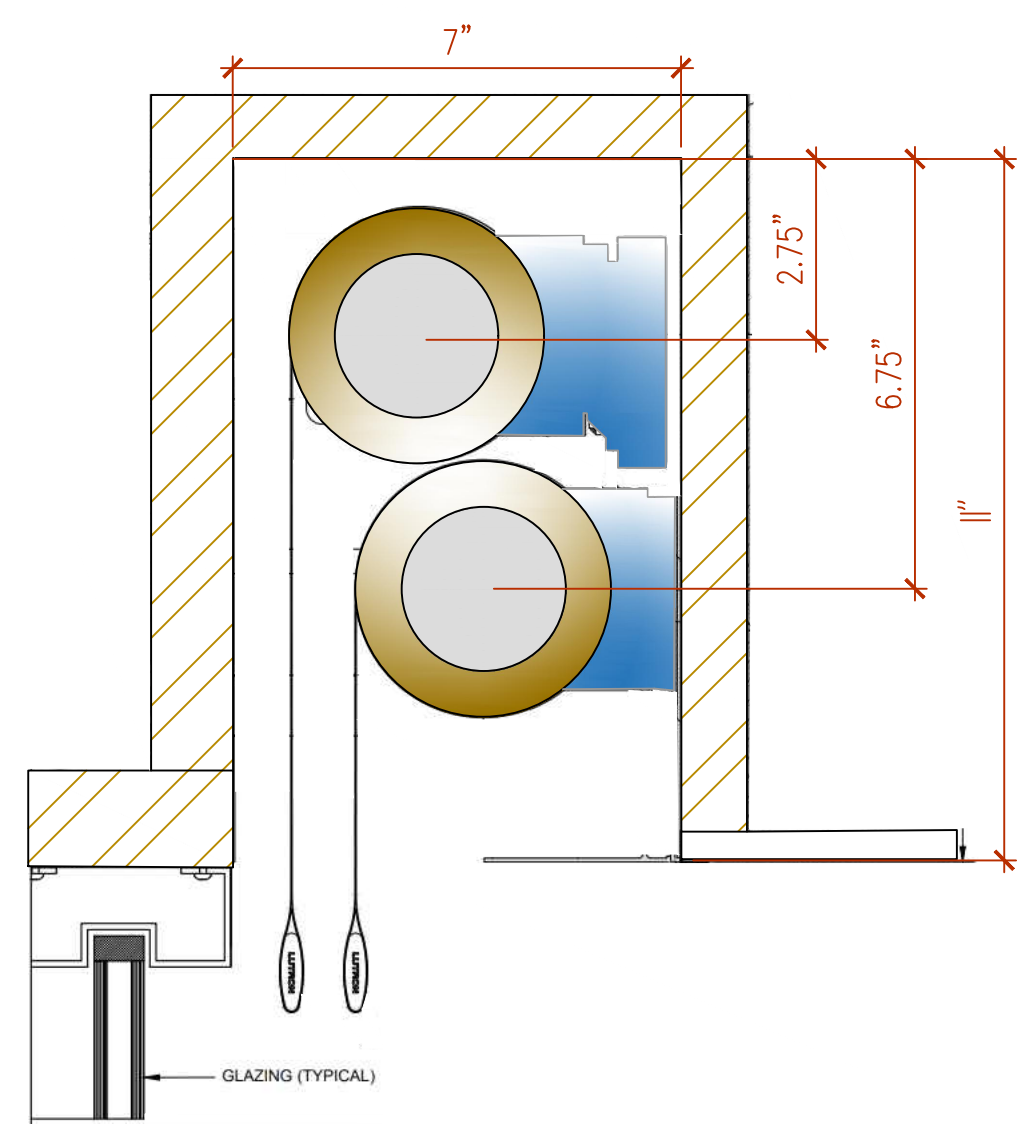


Side View POCKET SECTION / ELEVATION

DETAIL 04 Roller 64 WIDR

DETAIL 05 Roller 100

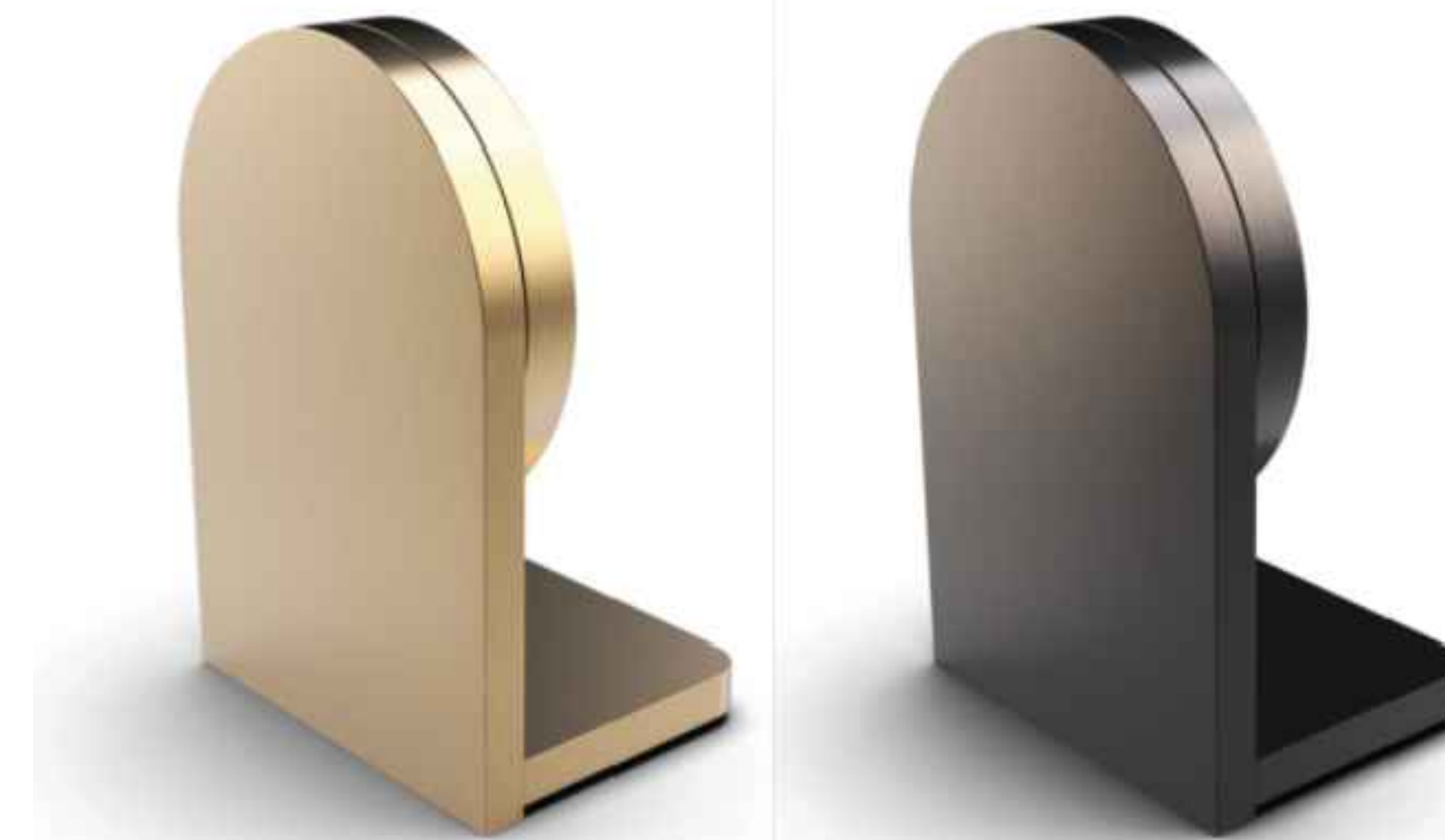
DETAIL 06 Roller 225



Side View POCKET SECTION / ELEVATION



DETAIL 08 Wall Mount Shade Roller



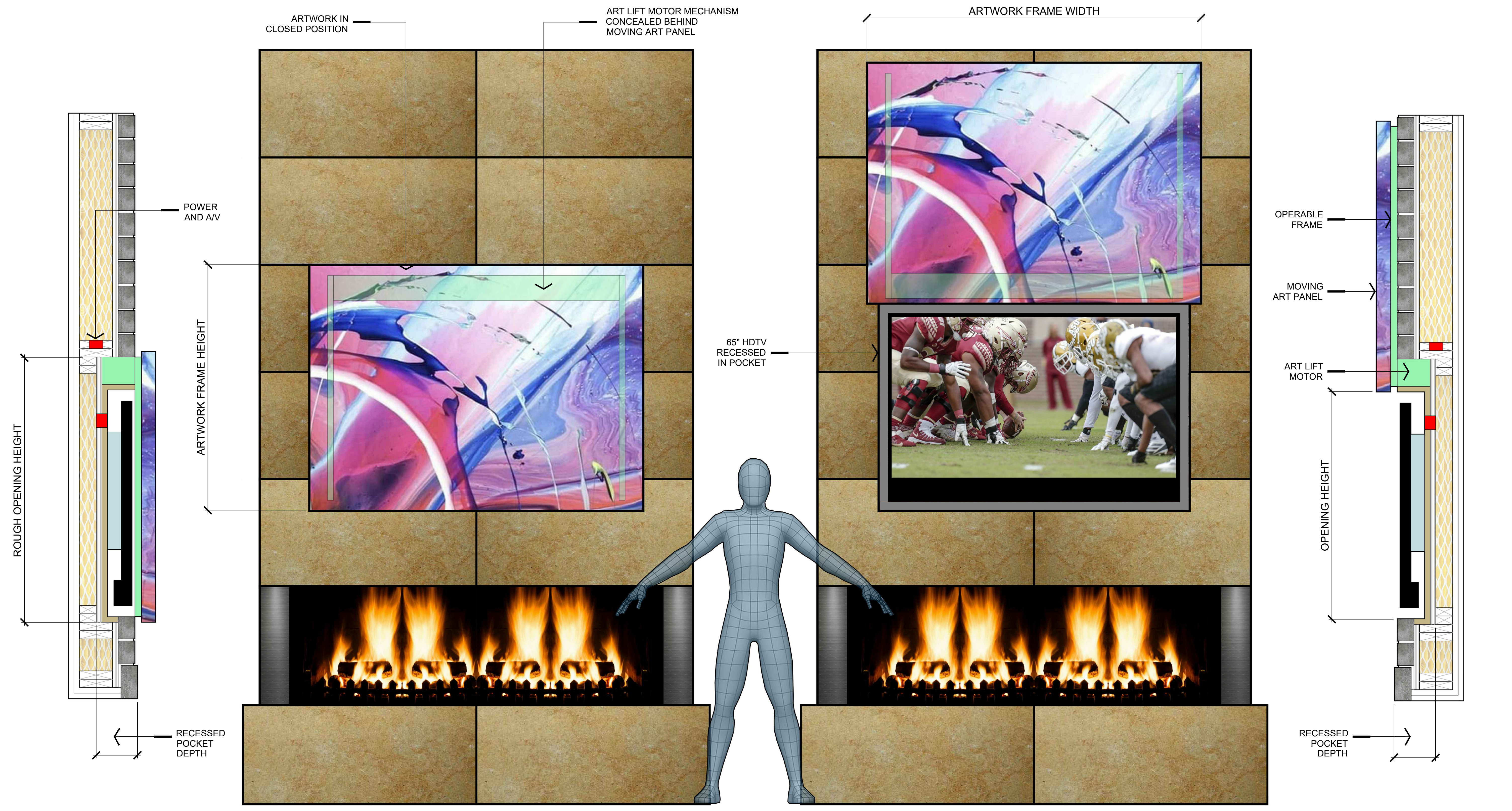
DETAIL 09 Shade Bracket Finishes

DETAIL 07 Duel Mount Shade



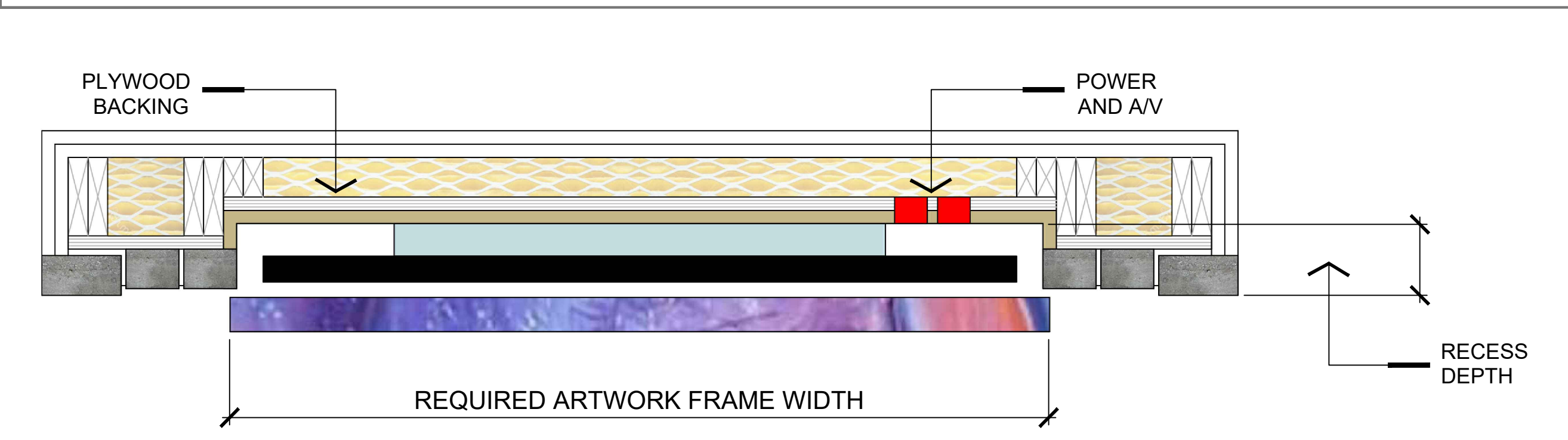
**REVISION HISTORY**

DATE	ID
2.14.22	PRELIM LAYOUT

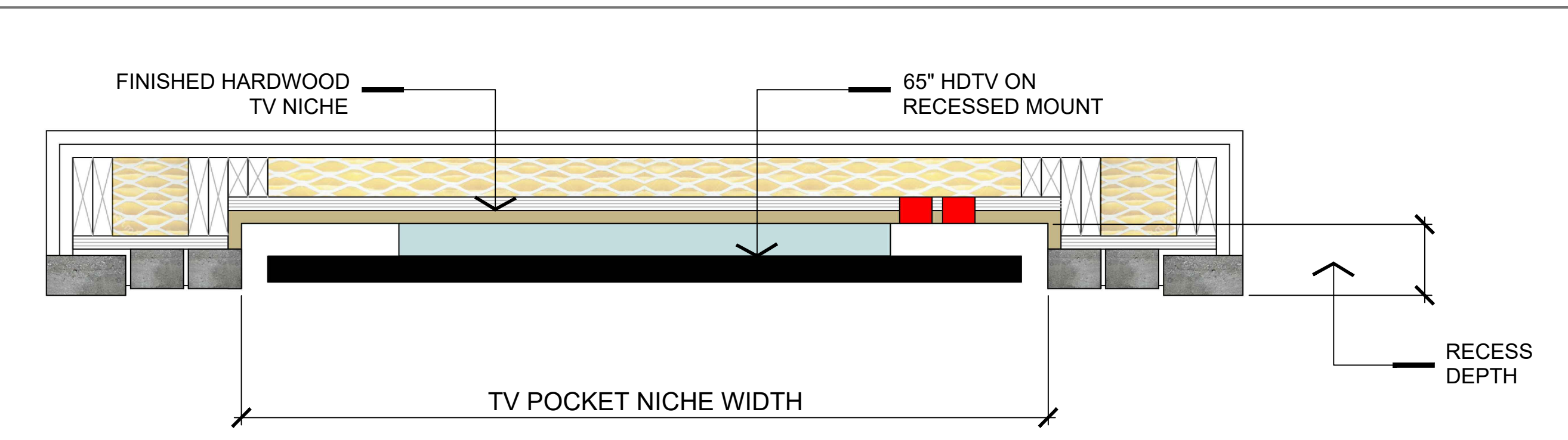


ARTWORK IN CLOSED POSITION ARTWORK IN OPEN POSITION

**DETAIL 01 SECTIONS AND ELEVATIONS - GREAT ROOM'S 65" TV CONCEALED BY ART LIFT MECHANISM**



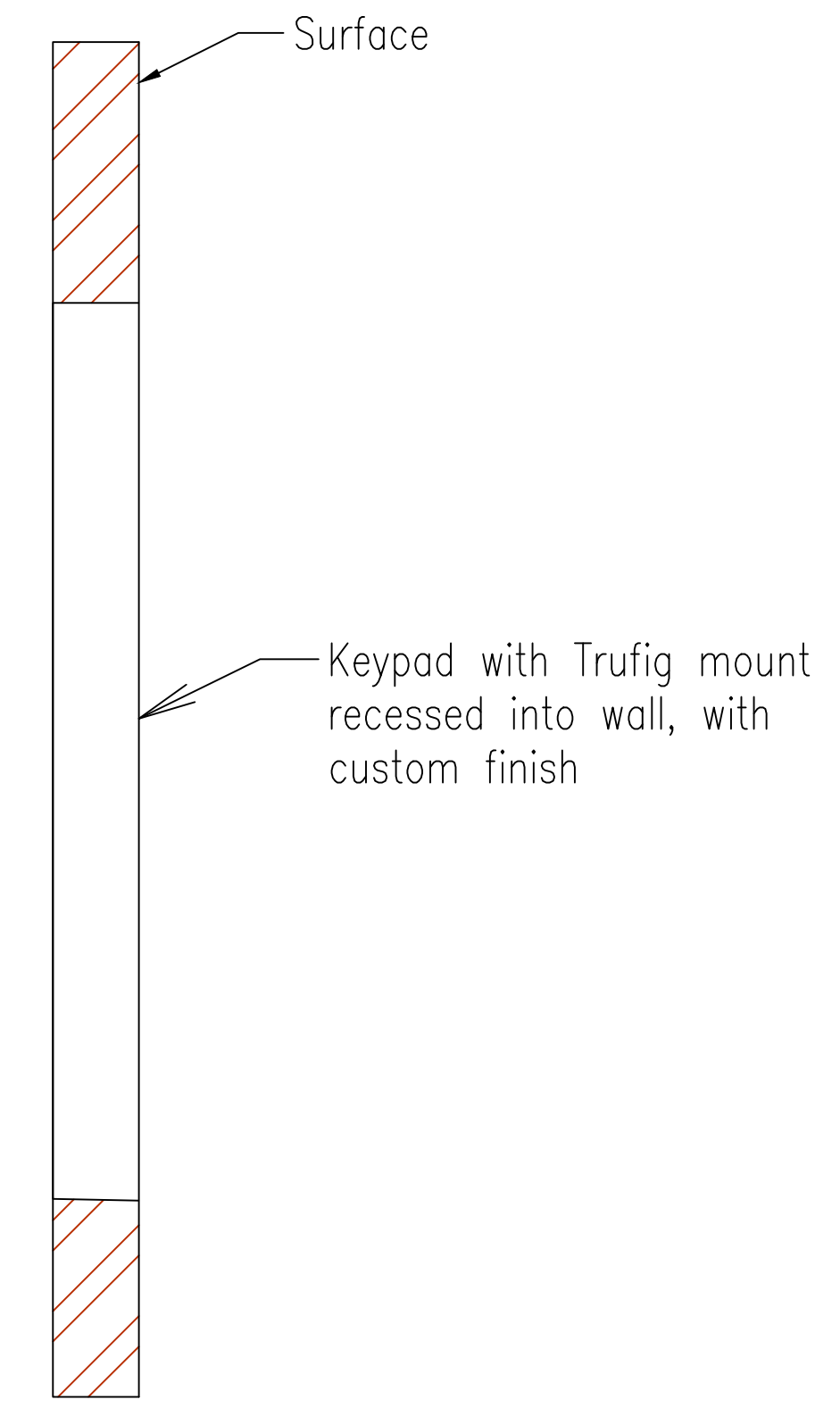
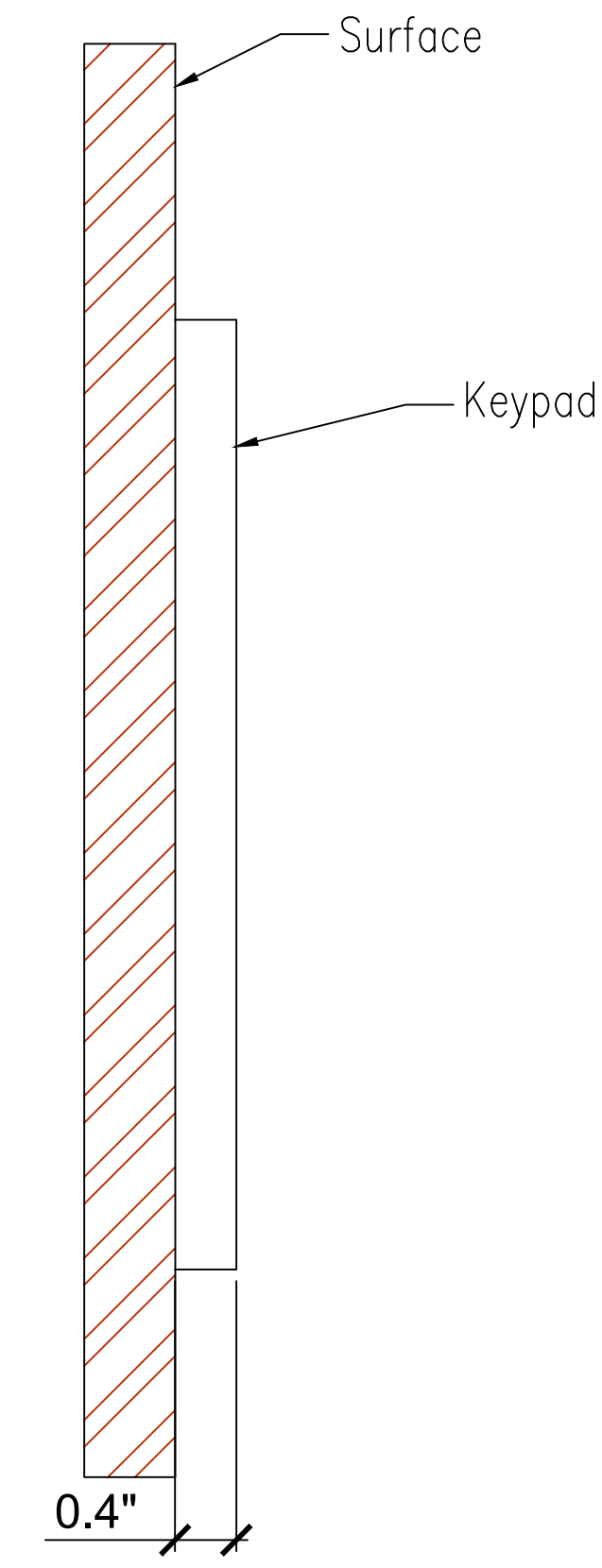
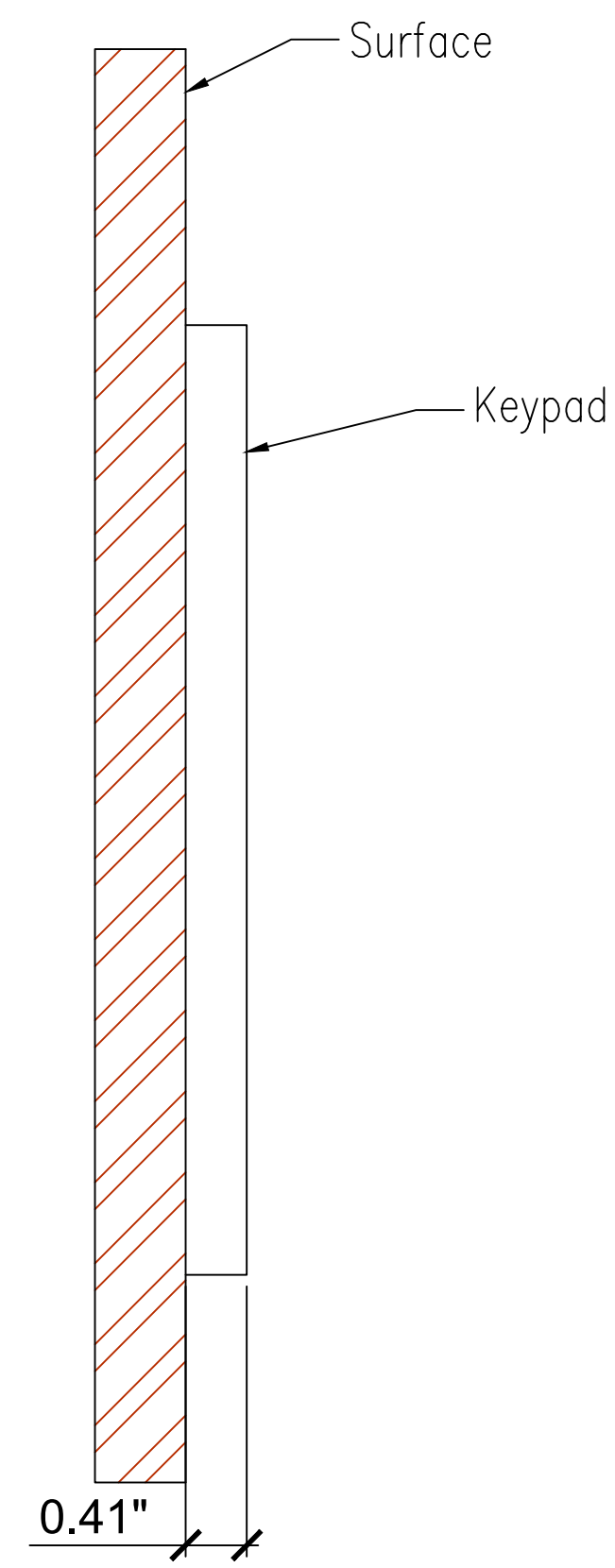
**DETAIL 02 PLAN - 65" TV CONCEALED BY ART LIFT MECHANISM IN CLOSED POSITION**



**DETAIL 03 PLAN - 65" TV EXPOSED BY ART LIFT MECHANISM IN OPEN POSITION**

This document belongs to Liaison Home Automation and is for internal use only.





See figures x and x below for examples

DETAIL 01 Lighting Keypad Height and Location

DETAIL 02 Crestron Horizon Cross Section

DETAIL 03 Lutron Cross Section

DETAIL 04 Recessed Keypads



DETAIL 05 Example Recessed Mount

DETAIL 6 Example Surface Mount

DETAIL 7 Example Recessed Outlet

ARCHITECT INFO

JOE RIVERSIDE  
RIVERSIDE DESIGN  
3004 SOUTH BEND  
SCOTTSDALE, ARIZONA  
(679) 523-2150

WWW.ARCHWEBSITE.COM

BUILDER INFO

KENT THORNTON  
PLATINUM BUILDERS  
45 JONES LOOP  
JACKSON, WYOMING  
(840) 450-9210

WWW.BLDRSWEBSITE.COM

PROJECT NAME

PROJECT ADDRESS  
CITY, STATE ZIP CODE

REVISION HISTORY

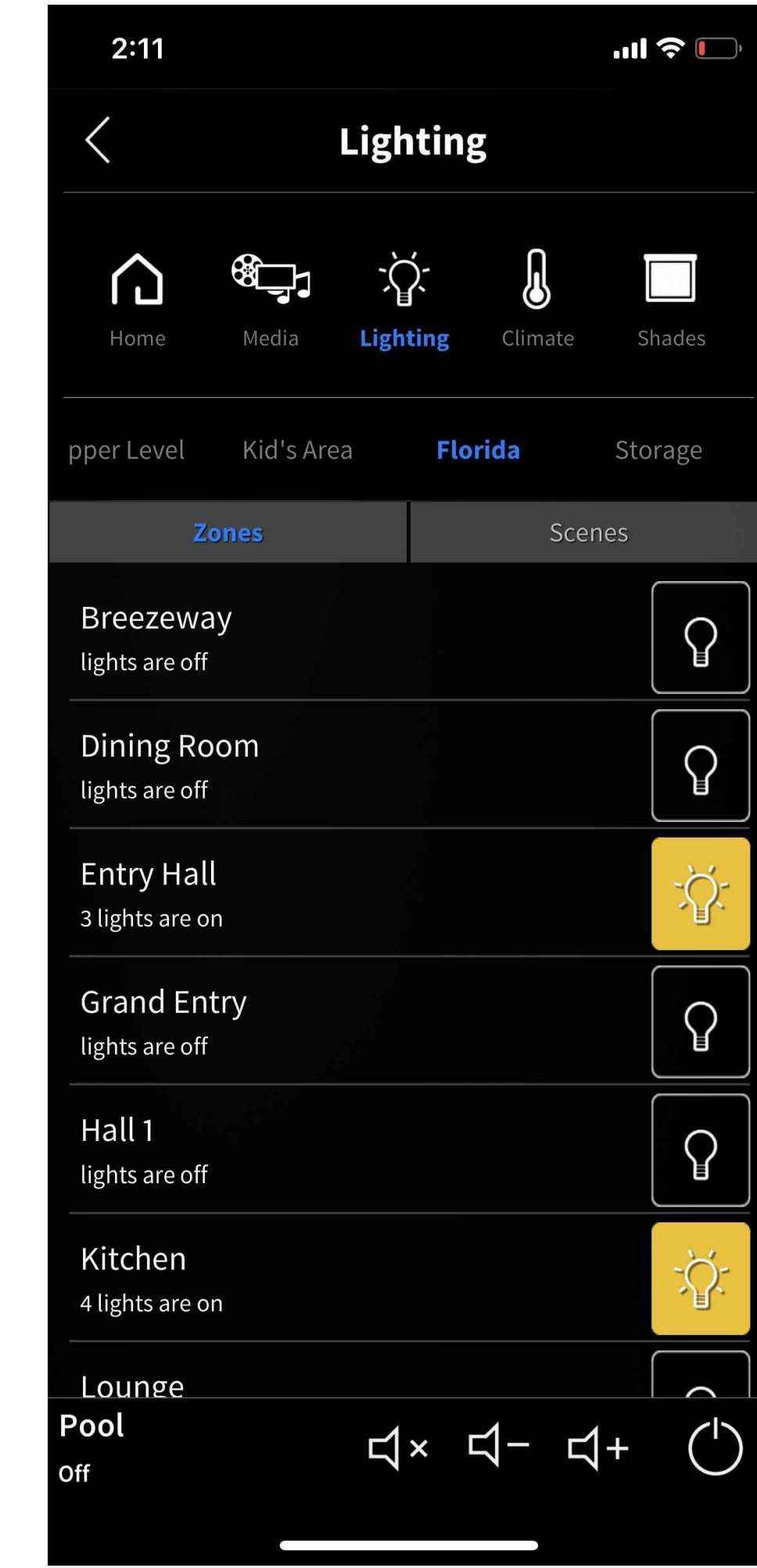
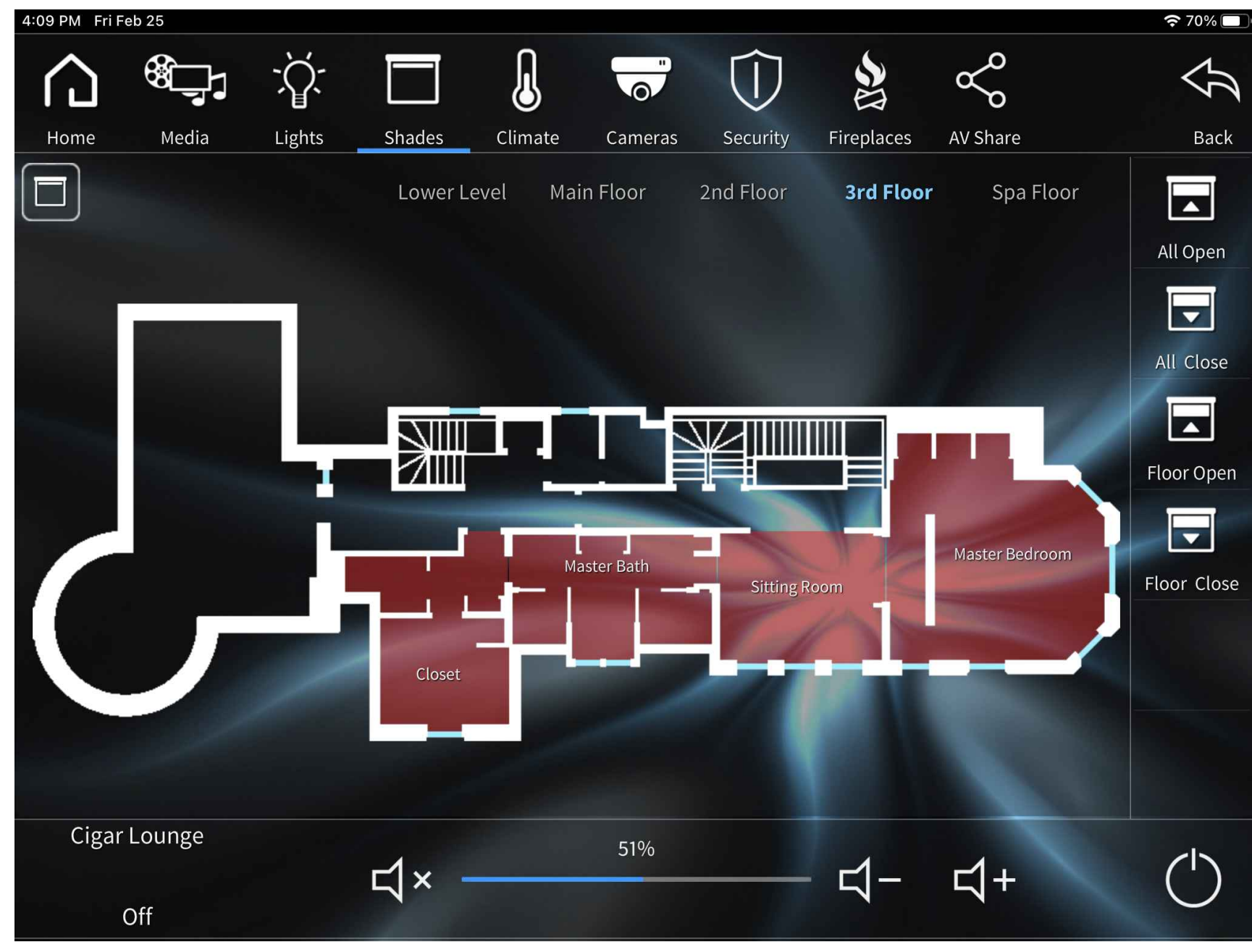
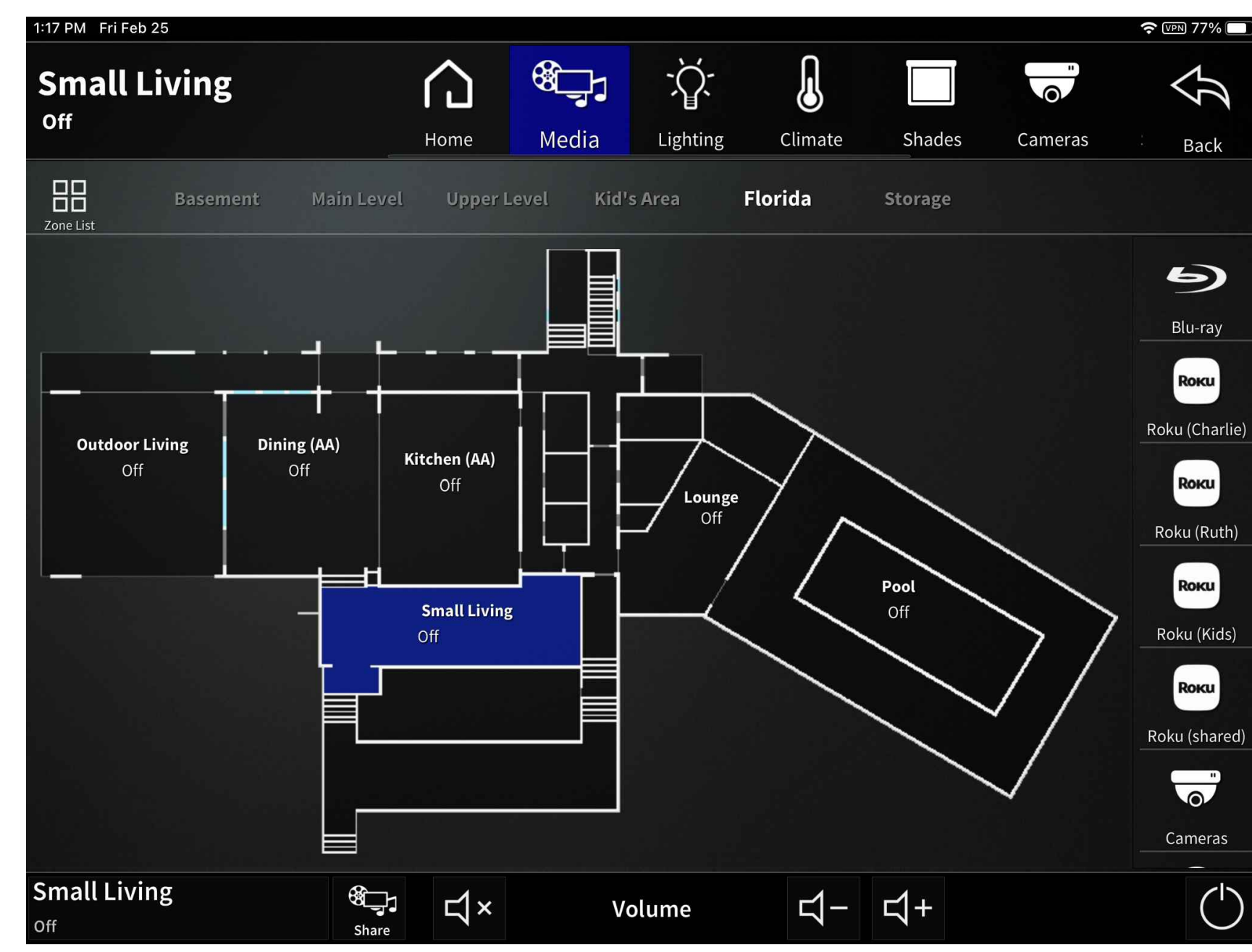
DATE	ID
2.14.22	PRELIM LAYOUT

SHEET INFO

**KPF-1.0**  
Keypad And Outlet Finish

DATE: 02.14.2022





**ARCHITECT INFO**  
 JOE RIVERSIDE  
 RIVERSIDE DESIGN  
 3004 SOUTH BEND  
 SCOTTSDALE, ARIZONA  
 (679) 523-2150  
 WWW.ARCHWEBSITE.COM

**BUILDER INFO**  
 KENT THORNTON  
 PLATINUM BUILDERS  
 45 JONES LOOP  
 JACKSON, WYOMING  
 (840) 450-9210  
 WWW.BLDRSWEBSITE.COM

**PROJECT NAME**  
 PROJECT ADDRESS  
 CITY, STATE ZIP CODE

**REVISION HISTORY**

DATE	ID
2.14.22	PRELIM LAYOUT

**SHEET INFO**  
**INTF-1.0**  
 LIAISON PATENTED  
 CRESTRON INTERFACE  
 DATE: 02.14.2022

This Document belongs to Liaison Home Automation and is for internal use only.